



X-TOOL VARIO

X-TOOL VARIO

The ergonomic desoldering tool for classic TH-technology!

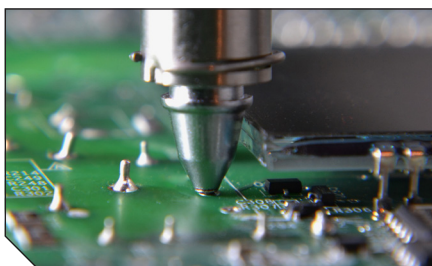
The new **X-TOOL VARIO** convinces with highly efficient 150 W heating technology. Desoldering tasks getting conventional tools to their limits are solved brilliantly by the X-TOOL VARIO. The design of heating element and desoldering tip ensure an efficient thermal transfer and a fast evacuation of the extracted solder.

For users the ergonomic handle means relaxed working with a healthy hand position. The slim shape of heating head and desoldering tip allow desoldering even on tightly packed PCBs. Residual solder is visible at all times in the transparent solder container. If necessary the residual solder container can be cleaned in no time.

Like in other Ersas tools X-TOOL VARIO is equipped with a motion sensor thus the standby function and the idle mode can be used optimally to save energy and prolongue the lifetime of the desoldering tip. Like in the proven X-TOOL the desoldering tips of the X-TOOL VARIO can be easily plugged in and can be changed in no time.

Technical highlights:

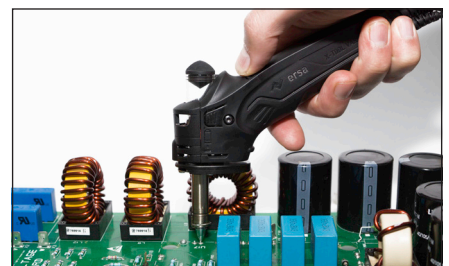
- 150 W heating power, Sensotronic
- Short heat-up (< 35 sec)
- 700 mbar extraction vacuum
- Short response for suction
- Transparent residual solder container
- Ergonomic handle for a healthy hand position
- Versatile range of desoldering tips



Slim desoldering tip for optimal contact to the solder joint



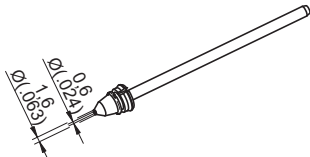
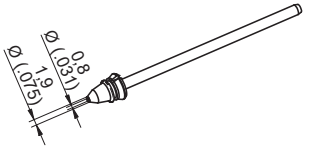
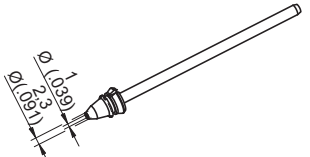
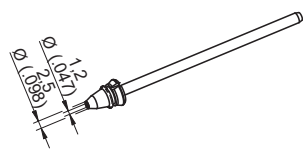
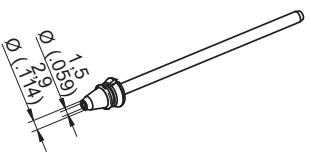
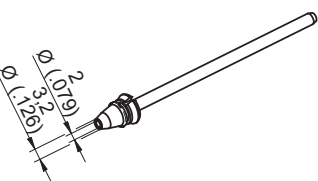
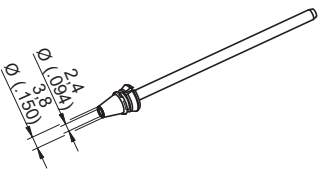
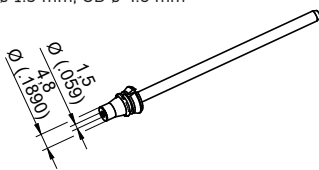
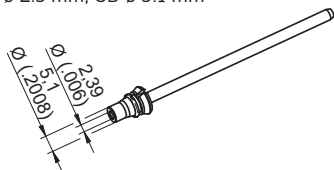
Transparent solder container



Ergonomic handle for a healthy hand position

SERIES 742 DESOLDERING TIPS, ERSADUR, NICKEL-PLATED

■ All i-CON Stations with X-TOOL VARIO desoldering iron

<p>0742ED0616H/SB ERSADUR desoldering tip, highly tin-plated</p> 	<p>0742ED0819H/SB ERSADUR desoldering tip, highly tin-plated</p> 	<p>0742ED1023H/SB ERSADUR desoldering tip, highly tin-plated</p> 
<p>0742ED1225H/SB ERSADUR desoldering tip, highly tin-plated</p> 	<p>0742ED1529H/SB ERSADUR desoldering tip, highly tin-plated</p> 	<p>0742ED2032H/SB ERSADUR desoldering tip, highly tin-plated</p> 
<p>0742ED2438H/SB ERSADUR desoldering tip, highly tin-plated</p> 	<p>0742ED1548H/SB ERSADUR desoldering tip, highly tin-plated ID \varnothing 1.5 mm, OD \varnothing 4.8 mm</p> 	<p>0742ED2351H/SB ERSADUR desoldering tip, highly tin-plated ID \varnothing 2.3 mm, OD \varnothing 5.1 mm</p> 

Dimensions without pre-tinning

Technical data:

voltage	24 V AC
nomial power	150 W
temperature range	150 – 450 °C
weight	ca. 210 g (inkl. Zuleitung und Entlötspitze)
vaccum	max. 700 mbar
heating time	< 35 s (20 – 380°C)
antistatic	yes

Order information:

Order number	Discription
0740EDJ	Soldering iron X-TOOL VARIO
01CV2005XV	Ersa i-CON VARIO 2 Multi-channel soldering & desoldering station with X-TOOL VARIO
01CV2005XVI	Ersa i-CON VARIO 2 Multi-channel soldering & desoldering station with X-TOOL VARIO and i-TOOL MK2
01CV2005AXV	Ersa i-CON VARIO 2 Multi-channel soldering & desoldering station with X-TOOL VARIO, i-TOOL AIR S and i-TOOL MK2
01CV4005AICXV	Ersa i-CON VARIO 4 Multi-channel soldering & desoldering station with X-TOOL VARIO, CHIP TOOL VARIO, i-TOOL AIR S and i-TOOL MK2



further information
on our website or
webshop

Ersa GmbH
Leonhard-Karl-Str. 24
97877 Wertheim
Germany

Tel. +49 9342 800-0
Fax +49 9342 800-127
info@ersa.de
www.ersa.com

France:
kefrance@kurtzersa.com
America:
usa@kurtzersa.com

Mexico:
info-kmx@kurtzersa.de
China:
asia@kurtzersa.com

100
years
ersa
1921 – 2021