

## High performance soldering tool for i-CON VARIO stations – 250 W



**Connectable to all VARIO stations!**



For example to the i-CON VARIO 2 (left) and the i-CON VARIO 4 (right).

### There's true power in it!

The i-TOOL HP is a high performance soldering tool for particularly demanding and high-mass soldering applications which was developed especially for the i-CON VARIO soldering stations. Despite its 250 W power the i-TOOL HP is a light-weight with only 110g; the ergonomic handle, an automatic standby sensor assure

efficient, non-exhausting working. As with the i-TOOL the soldering tips of the i-TOOL HP can be exchanged fast and easily. Connectable to all i-CON VARIO soldering stations for all soldering application with high heat requirements. Add this allround power-pack to your team!

#### Highlights i-TOOL HIGH POWER

- Strong: 250 W, temperature-controlled
- Light: 110 g (without cable)
- Fast: from 20 up to 360 °C in 40 s
- Automatic standby function
- Easily exchangeable soldering tips (seperately from the heating element)
- Application-specific soldering tips

### One soldering tool, many fields of application– the i-TOOL HIGH POWER



Solar technology



Telecommunication



Power electronics

### Further fields of application:

TRANSFORMER BUILDING HEATING TECHNOLOGY METAL SHEET APPLICATIONS  
 MOLD MAKING IN FOUNDRY REWORK ON COLD METAL TRANSFER (CMT) FLEXIBLE WIRES  
 HF-HOLLOW CONDUCTORS POWER BUSES LEAD GLAZING BODYWORK AND PLUMBING  
 THERMOPLASTIC, CUTTING AND WELDING TECHNOLOGY SHIELDS POWER CAPACITORS

# Ersa i-TOOL HP

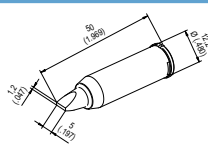
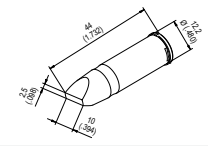
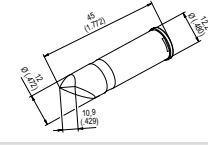
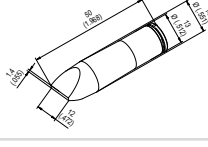
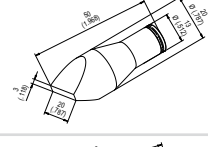
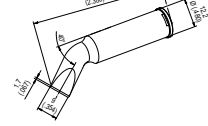
High performance soldering tool for i-CON VARIO stations – 250 W

Connectable  
to all VARIO  
stations!

## Technical Data

i-TOOL HP	
Weight in g	110 g (without cable)
Antistatic design (y/n)	y
Nominal voltage in V AC	24
Power rating in W	250
Heat up time in sec	40
Soldering tip (standard)	12 mm, chisel-shaped
Temperature range in °C	150–450

## Soldering tips (ERSADUR)

	Order No.	Description
	0242CDLF50	lead-free, 5.0 mm, chisel-shaped
	0242CDLF100	lead-free, 10.0 mm, chisel-shaped
	0242CDLF109A	lead-free, 10.9 mm, chisel-shaped, asymmetric
	0242CDLF120	lead-free, 12.0 mm, chisel-shaped
	0242CDLF200	lead-free, 20.0 mm, chisel-shaped
	0242SDLF90	lead-free, 9.0 mm, bent 40°, chisel-shaped

Special tips on demand.



Soldering tip  
series 242



i-TOOL HP



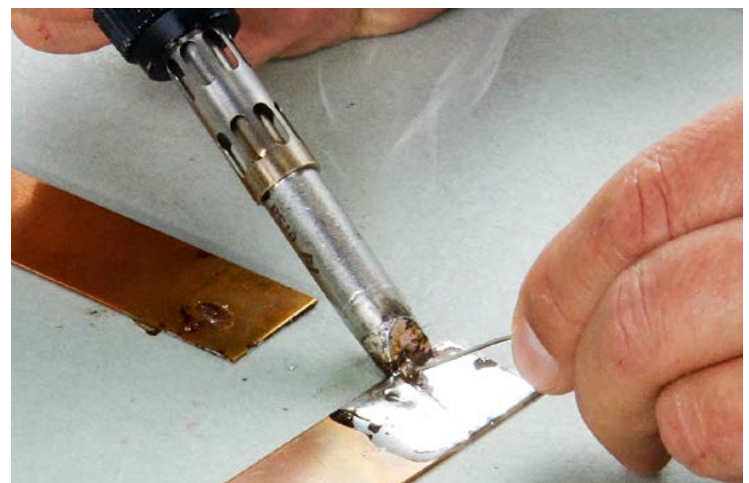
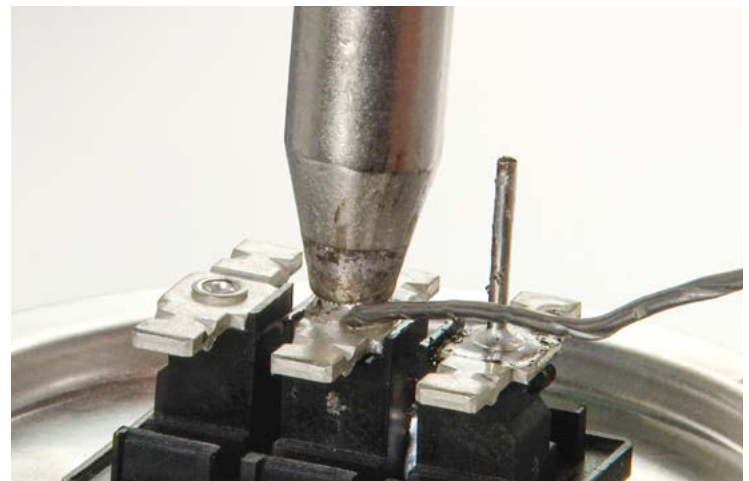
i-CON VARIO  
product video

## Order information

Order No.	Description
01CV2000HP	Multichannel soldering and desoldering station i-CON VARIO 2 with i-TOOL HP and holder 0A57
0240CDJ	High-power soldering iron i-TOOL HP für i-CON VARIO stations, 250 W, cable 1,4 m
0240CDJ049	High-power i-TOOL HP for i-CON VARIO stations, 250 W, cable 3,5 m

## Supplementary Products

Order No.	Description
0A57	Holder for i-TOOL HP
3IT2440/SB	Tip fastener, complete, for i-TOOL HP
0HG100	Handle for i-TOOL HP
3ZT00051	Cleaning brush
0008M	Dry cleaner 10 pcs/unit



297638 - 09/2017 | Subject to qualifications | © Ersa GmbH

Ersa GmbH  
Leonhard-Karl-Str. 24  
97877 Wertheim  
Germany

Tel. +49 9342 800-0  
Fax +49 9342 800-127  
info@ersa.de  
www.ersa.de

France  
info-efr@kurtzera.com

USA  
info-ena@kurtzera.com

Mexico  
info-kmx@kurtzera.com

China  
info-eap@kurtzera.com

Further information can be found on [www.ersa.de](http://www.ersa.de)